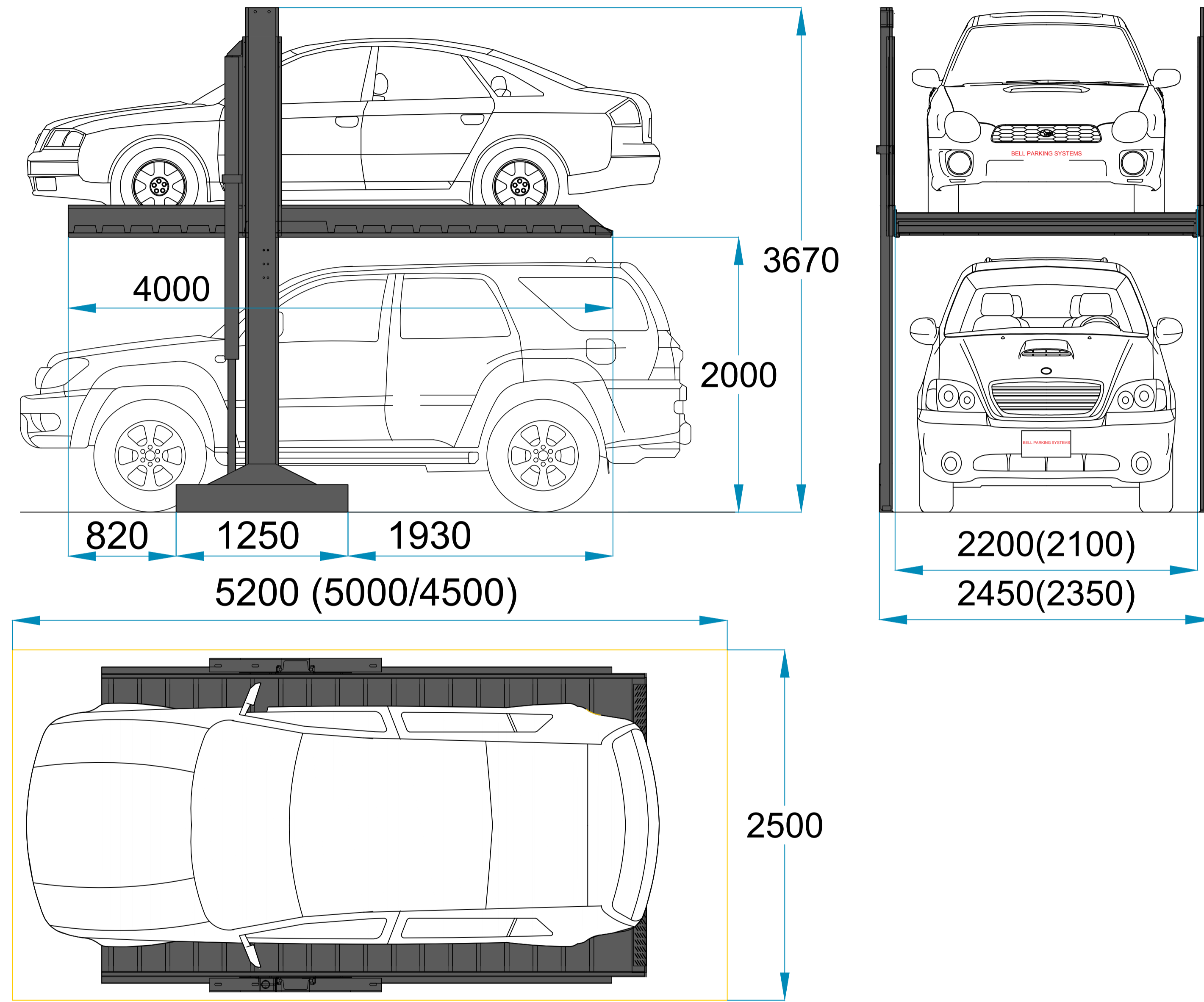


SYSTEM SPACE REQUIREMENT FOR 2 POST STACK



PARKING SYSTEM SPECIFICATION		
MODEL	STACK PARKING SYSTEM	
QTY.	1 No.	
CAR SIZE	LENGTH	5000 mm
	WIDTH	2000 mm
	HEIGHT-SUV	1950 mm
	HEIGHT-SEDAN	1750 mm
CAR WEIGHT		2000 kg.
LIFTING	MOTOR	2.2 KW / 3HP
	SPEED	5.6 M/MIN (VARIABLE)
	BRAKE	DC MAGNETIC
PICKING	MOTOR	-
	SPEED	-
TURN TABLE	MOTOR	-
	SPEED	-
DRIVING TYPE		HYDRAULIC & CHAIN BALANCING
DOOR TYPE		-
OPERATION		TURN KEY / RFID CARD
CONTROL		P.L.C. & INVERTER
POWER	MAIN	AC 3φ 415V / 50Hz
	LIGHTING	AC 3φ 220V / 50Hz
LIFTING ARRANGEMENTS		HYDRAULIC POWER PACK
HORIZONTAL MOVEMENTS		-
VERTICAL MOVEMENTS		HYD. CYLINDER
POWER PACK		03 HP

SPECIAL NOTE :-

- All dimensions are in mm .Unless mentioned otherwise do not scale the drawing refer written dimensions only
- The on site dimension to be confirm from architect side before work execute on site.
- This design and drawing is property of bell parking system pvt ltd.
- This drawing will not be copied or lent without their permission in car parking consultants.

SYSTEM CAR SPECIFICATION					
CAR MODEL	MAX. AVAIL. SIZE FOR CAR				NO. OF CAR
	LENGTH	WIDTH	HEIGHT	WEIGHT	
SEDAN	3800	1850	1550	2500 kg.	-
Prm. SEDAN	4800	1950	1650	2500 kg.	-
SUV	5050	2050	1950	2500 kg.	-
Prm. SUV	5250	2150	2050	2500 kg.	-
TOTAL NO. OF CARS IN THIS SYSTEM					-

GA OF STACK PARKING SYSTEM

CLIENT APPROVAL

SIGN : _____ DATE : _____

THIS DRAWING IS PREPARED BASED ON THE ARCHITECTS DRAWING. DETAILED DRAWING SHALL BE PREPARED BASED ON ACTUAL SITE CONDITION AND ORDER CONFIRMATION.FIRE FIGHTING EQUIPMENT AND OTHER SERVICES NOT CONSIDERED. PLEASE REFER OUR DATA SHEET FOR DETAIL INFORMATION.

INSTALLATION SHALL BE DONE BASED ON ACTUAL SITE CONDITION AT THE TIME OF INSTALLATION.

NAME	DATE	REV	DESCRIPTION
REVISION RECORD			



TITLE :-
GA OF STACK PARKING SYSTEM

CLIENT:-
M/S

DATE :- 10.10.19	DRG.No.: KC-01
DRN BY :- SK	SHEET SCALE REV.
CKD BY :- RBH/ARM	1 OF 1 N.T.S 00